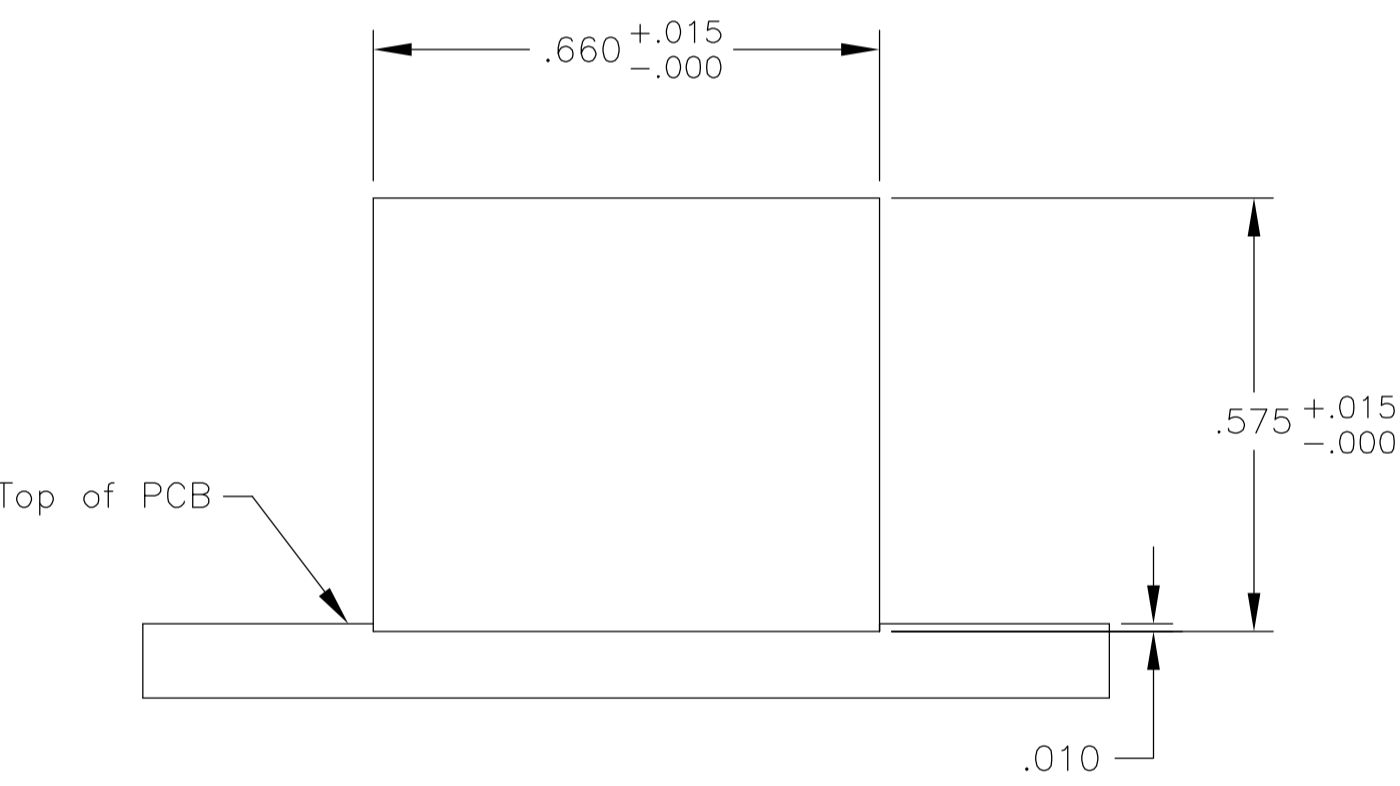
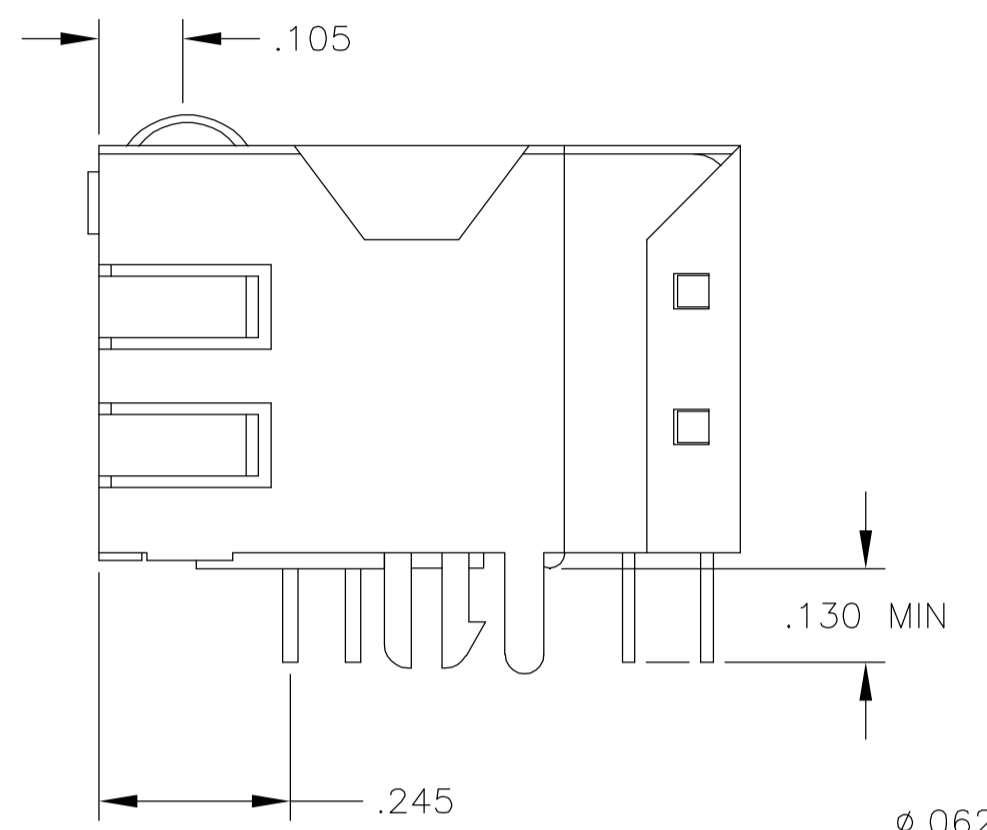
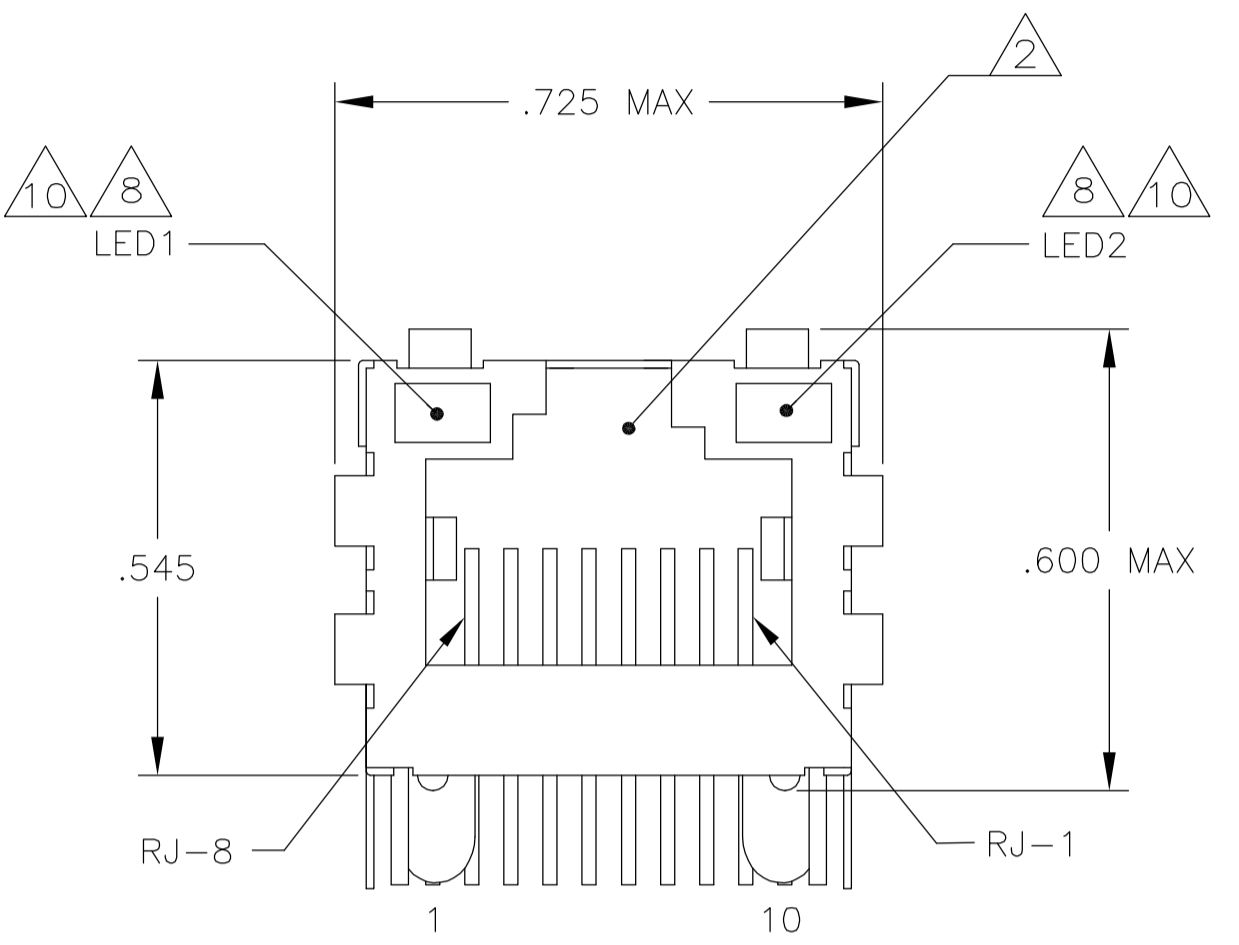
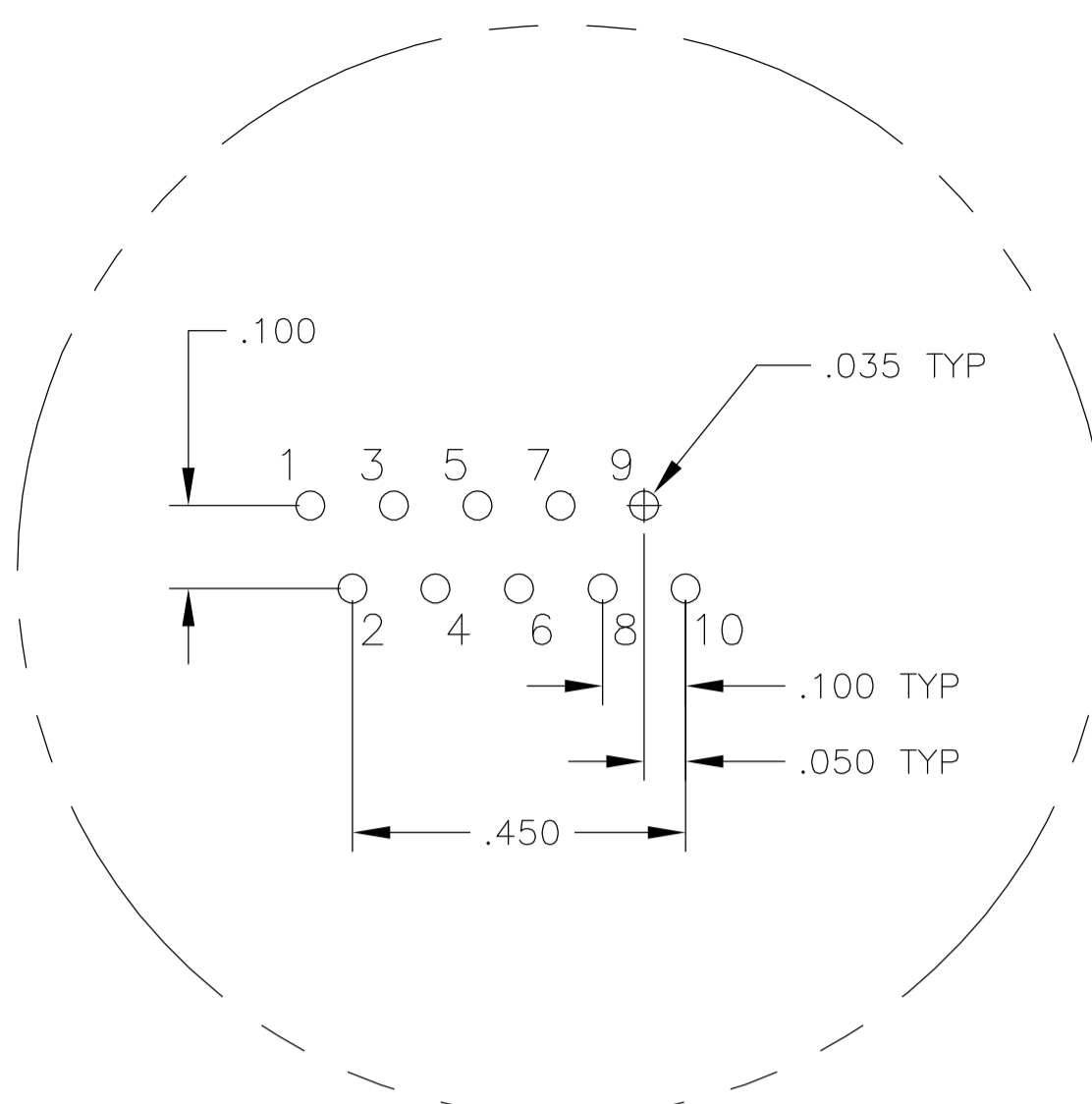
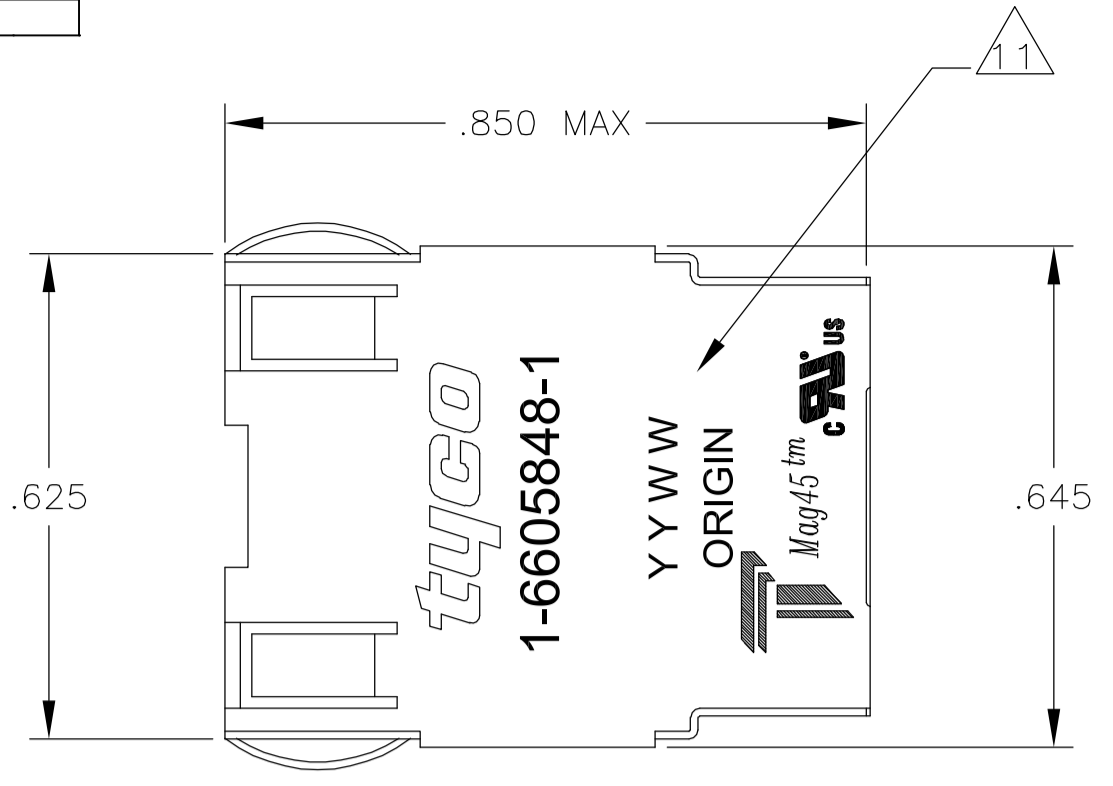
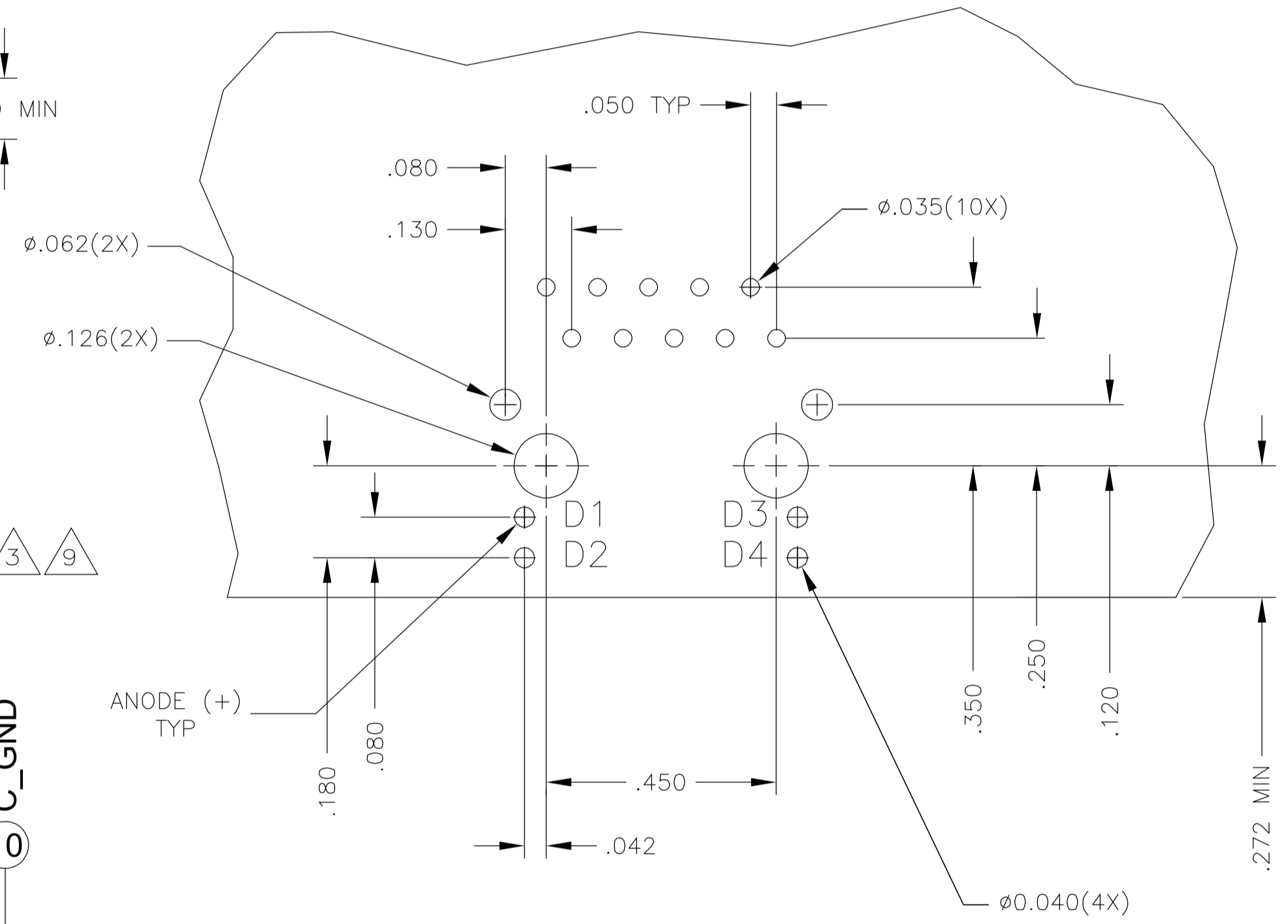


LOC		DIST		REVISIONS				
AA	22	P	LTR	DESCRIPTION	DATE	OWN	APVD	
A	REV PER EC	OS13-0644-04			07MAR2005	LV	DF	

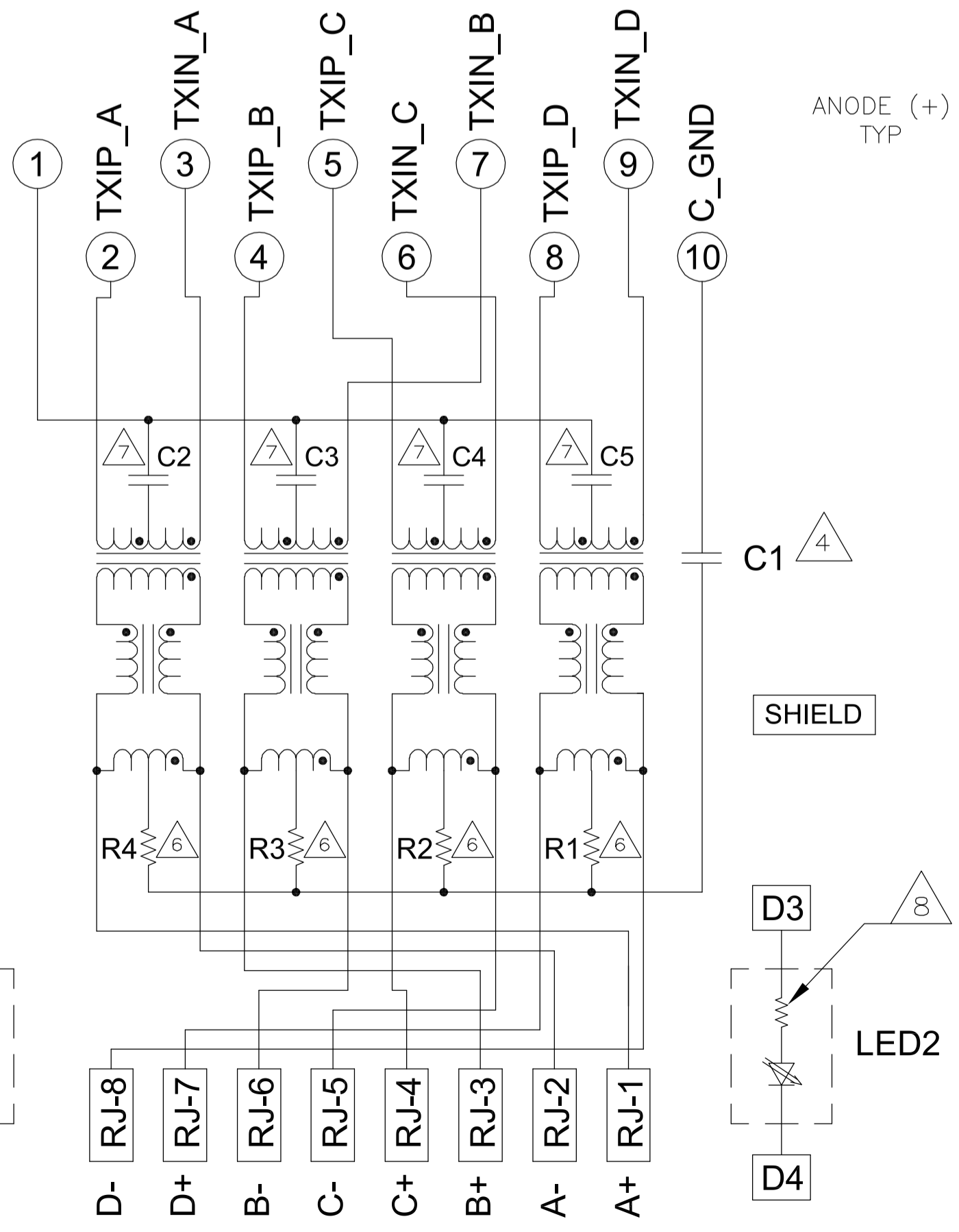
MECHANICAL:



Pin Designations



7G07 GIGABIT MAGNETIC CIRCUIT



- △ **MATERIALS:**
 - HOUSING - THERMOPLASTIC PET POLYESTER FLAMMABILITY RATING UL 94V-0.
 - SHIELD - .010" THICK, C26800 BRASS PREPLATED WITH 30μINCH MIN SEMI-BRIGHT NICKEL, SOLDER TABS POST DIPPED WITH 100μINCH MIN SAC SOLDER.
 - MOD JACK CONTACTS - 0.0157" x 0.018" PHOSPHOR BRONZE, 50μINCH MIN OVERALL NICKEL UNDERPLATE, WITH SELECT 50μINCH MIN HARD GOLD FINISH PLATE. SOLDER TAILS WITH 100μINCH MIN MATTE TIN AND/OR SAC SOLDER DIP.
 - LIGHT EMITTING DIODE(LED) - DIFFUSED EPOXY LENS, .020" x .020" CARBON STEEL WIREFRAME LEADS PRE-PLATED WITH 80μINCH SILVER OVER 40μINCH NICKEL UNDERPLATE OVER 40μINCH COPPER UNDERPLATE, POST-PLATED WITH 100μINCH MIN MATTE TIN AND/OR SAC SOLDER DIP OR PURE TIN SOLDER DIP.
- △ RJ45 JACK CAVITY CONFORMS TO FCC RULES AND REGULATIONS PART 68, SUB PART F.
- △ **MAGNETICS**
 - IMPEDANCE: 100 OHMS
 - TURNS RATIO (CHIP-CABLE): 1:1 ALL FOUR PAIRS
 - OPEN CIRCUIT INDUCTANCE (OCL): 350μH MIN @100kHz, 0.1VRMS, 8mADC BIAS FROM 0°C TO 70°C, ALL FOUR PAIRS
 - ALL FOUR PAIRS BI-DIRECTIONAL
 - PERFORMANCE @ 25°C:
 - INSERTION LOSS (IL): 1.1dB MAX FROM 0.5MHz TO 100MHz
 - RETURN LOSS (RL): 18dB MIN FROM 0.5MHz TO 40MHz
 - 12-20LOG(f/80)dB MIN FROM 40.1MHz TO 100MHz
 - CROSSTALK ATTENUATION: 35dB MIN FROM 0.5MHz TO 40MHz
 - 33-20*LOG(f/50)dB MIN FROM 40.1MHz TO 100MHz
 - COMMON MODE REJECTION RATIO (CMRR): 30dB MIN FROM 0.5MHz TO 100MHz
 - ISOLATION VOLTAGE: COMPLIES WITH IEEE802.3 2002, PARA 40.6.1.1, ITEM a or b.
- △ C1 IS A 1000 pF, 2kV DECOUPLING CAPACITOR.
- 5. OPERATING TEMPERATURE: FROM 0° - +70°C.
- △ R1-R4 = 75 OHMS, 1/16 W, 5% RESISTORS.
- △ C2-C5 = 0.1μF, 50V CAPACITORS.
- △ LED COMPLIANT WITH IEC60825-1 SAFETY OF LASER PRODUCTS. WHEN OPERATED UP TO 20 mA. THE 250 OHM RESISTOR IS INCLUDED IN THE LEDS.
- △ THE MAGNETICS ARE SYMMETRIC, AND SUPPORT AUTO-MDI/MDIX.
- △ LED PEAK WAVELENGTH: GREEN(λ) = 565nm.
- △ TRADEMARK, PART NUMBER, DATE CODE, COUNTRY OF ORIGIN AND AGENCY APPROVAL MARKING IN APPROXIMATE LOCATION SHOWN.

THIS DRAWING IS A CONTROLLED DOCUMENT.		DIN L VARELA - 07MAR2005		Tyco Electronics Corporation	
DIMENSIONS: INCHES		CHK D FAROLE 07MAR2005		Harrisburg, PA 17105-3608	
TOLERANCES UNLESS OTHERWISE SPECIFIED:		APVD D FAROLE 07MAR2005		NAME: 1X1 MAG45(TM), MODULAR JACK, 7G2 SCHEMATIC, 7G07 GIGABIT MAGNETIC CIRCUIT (10 PIN), SHIELDED, DECOUPLING CAPACITOR, WITH RESISTOR LEDS	
0 PLC ± -		PRODUCT SPEC 108-2100		SIZE: A1	
1 PLC ± .010		APPLICATION SPEC		CAGE CODE: 00779	
2 PLC ± .005		MATERIAL: GREEN		DRAWING NO: 6605848	
3 PLC ± .005		FINISH: GREEN		SCALE: NTS	
4 PLC ± -		WEIGHT: -		SHEET 1 OF 1	
ANGLES ± -		CUSTOMER DRAWING		REV A	